

## Premium Efficient Stainless Steel Foot Mount TEFC/TENV

---

### Applications: \_\_\_\_\_

Food Processing, packaging, outdoor and highly corrosive environments.

### Features: \_\_\_\_\_

- 3600, 1800, 1200 RPM
- 1/3 HP to 30 HP
- 208-230/460 Volt
- Exceeds MG 1, Part 31
- Inverter-Duty Rated - 15:1 CT, 30:1 VT
- 1.15 SF @ 60 Hz, 1.0 SF @ 50 Hz
- All 304 Stainless Steel
- Round Conduit Box Available
- Laser Etched Nameplate
- TEFC or TENV Enclosure
- Double VPI and Fiberglass Wrapped Windings
- Shaft Slinger on Both Ends of Motor
- O-Rings Installed on Endbells to Eliminate Moisture
- Pre-Installed Watertight, Stainless Cord Connector
- IP66 Protection
- Class F Insulation, Class B temperature



# NEMA

## Standard Full Line Motors



### Premium Efficient Stainless Steel Foot Mount TEFC/TENV

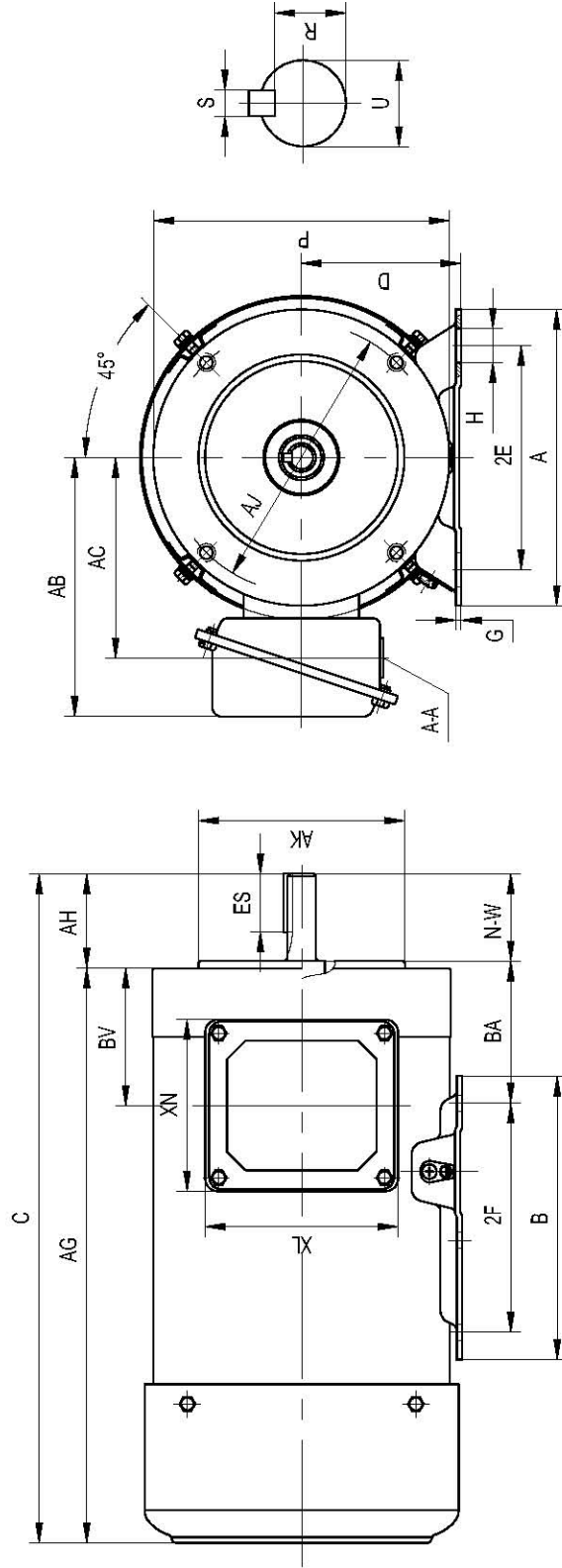
HP	RPM	VOLTAGE	FRAME	CATALOG NUMBER		FULL EFF. 100%	FULL AMPS 230/460V	SHIP WT. (LBS)	NOTE
				FOOTED	FOOTLESS				
0.3	1800	208-230/460V	56C	SS13401	SS13411	73.3	1.2/0.6	41	TENV
0.5	3600	208-230/460V	56C	SS12201	SS12211	74	1.52/0.8	42	TENV
	1800	208-230/460V	56C	SS12401	SS12411	75	1.0/0.8	48	TENV
	1200	208-230/460V	56C	SS12601	SS12611	79	1.8/0.9	63	TENV
0.75	3600	208-230/460V	56C	SS34201	SS34211	80	2.1/1.05	47	TENV
	1800	208-230/460V	56C	SS34401	SS34411	81.5	2.1/1.05	53	TENV
	1200	208-230/460V	56C	SS34601	SS34611	81	2.66/1.33	68	TENV
1	3500	208-230/460V	56C	SP1201	SP1211	77	2.91/1.46	55	TENV
	1775	208-230/460V	56C	SP1401	SP1411	85.5	2.8/1.40	59	
		208-230/460V	56C	SP1402	SP1412	85.5	2.9/1.4	59	TENV
		208-230/460V	143TC	SP1403	SP1413	85.5	2.9/1.4	73	
		208-230/460V	143TC	SP1404	SP1414	85.5	2.91/1.4	73	TENV
1.5	3500	208-230/460V	143TC	SP32202	SP32212	84	2.91/1.96	71	
	1775	208-230/460V	56C	SP32401	SP32411	86.5	4.2/2.1	61	
	1200	208-230/460V	143TC	SP32402	SP32412	87.5	4.6/2.3	61	
2	3500	208-230/460V	56C	SP2201	SP2211	85.5	5.24/2.62	73	
		208-230/460V	145TC	SP2202	SP2212	85.5	5.24/2.62	82	
	1735	208-230/460V	56C	SP2401	SP2411	86.5	5.58/2.79	78	
		208-230/460V	145TC	SP2402	SP2412	86.5	5.58/2.79	78	
3	3515	208-230/460V	145TC	SP3201	SP3211	86.5	7.25/3.63	88	
		208-230/460V	182TC	SP3202	SP3212	86.5	7.52/3.63	88	
	1760	208-230/460V	182TC	SP3401	SP3411	89.5	7.52/3.76	99	
5	3515	208-230/460V	184TC	SP5201	SP5211	88.5	12.1/6.04	102	
	1760	208-230/460V	184TC	SP5401	SP5411	89.5	12.7/6.34	108	
7.5	3520	208-230/460V	213TC	SP7201	SP7211	89.5	17.5/8.76	168	
	1760	208-230/460V	213TC	SP7401	SP7411	91.7	18.8/9.4	165	
10	3525	208-230/460V	215TC	SP10201	SP10211	90.2	23.7/11.9	210	
	1760	208-230/460V	215TC	SP10401	SP10411	91.7	25.3/12.7	205	
15	3520	208-230/460V	254TC	SP15201	SP15211	91	34/17	235	
	1760	208-230/460V	254TC	SP15401	SP15411	92.4	34.4/17.2	275	
20	3525	208-230/460V	256TC	SP20201	SP20211	91	46/23	264	
	1760	208-230/460V	256TC	SP20401	SP20411	93	46.6/23.3	315	

# NEMA

## Standard Full Line Motors

### Premium Efficient Stainless Steel Motors Foot Mount TEFC/TENV

### Mounting and overall dimensions 56C/215TC



Type	Mounting						Conduit Box						Motor Dimensions						Keyseat				Bearings		Enclosure
	D	E	2F	A	B	BA	H	AC	XL	XN	AA	C	AH	AJ	AK	P	N-W	U	R	S	ES	ODE	DE		
56C	3.5	2.44	3	6.5	6.5	2.75	1.22x.34	5.75	4.72	3.8	0.96	11.59	2.06	5.875	4.5	6.5	1.88	0.625	0.517	0.188	1.41	6205Z	TEFC		
143TC	3.5	2.75	4	6.5	6.5	2.75	1.22x.34	5.75	4.72	3.8	0.96	12.63	2.12	5.875	4.5	6.5	1.88	0.625	0.517	0.188	1.41	6205Z	TEFC		
145TC	3.5	2.75	4	6.5	6.5	2.75	1.22x.34	5.75	4.72	3.8	0.96	13.68	2.12	5.875	4.5	6.5	2.25	0.875	0.771	0.188	1.41	6205Z	TEFC		
182TC	4.5	3.75	4.5	8.8	6.5	3.5	0.71x.47	7	5.3	4.45	0.94	16.4	2.62	7.25	8.5	8.9	2.75	1.125	0.986	0.25	1.78	6307Z	TEFC		
184TC	4.5	3.75	4.5	8.8	6.5	3.5	0.71x.47	7	5.3	4.45	0.94	16.4	2.62	7.25	8.5	8.9	2.75	1.125	0.986	0.25	1.78	6307Z	TEFC		
213TC	5.25	4.25	5.5	10	8.5	4.25	0.71x.47	7.6	6.2	4.45	0.94	21.5	3.12	7.25	8.5	10	3.38	1.375	1.201	0.312	2.41	6308Z	TEFC		
215TC	5.25	4.25	7	10	8.5	4.25	0.71x.47	7.6	6.2	4.45	0.94	22.3	3.12	7.25	8.5	10	3.38	1.375	1.201	0.312	2.41	6308Z	TEFC		