

Model MD-AP



CE

MID
Approved

OIML-R49
Certified

Multi-jet Dry Type Vane Wheel Water Meter

· It is a multi-jet super dry water meter for residential application in sizes 15mm-50mm for cold water.

Features

- Magnetic Drive, lower transmission resistance
- Magnetic Shield, for external magnetic field protection
- Sealed dry dial register ensures clear reading
- Plastic meter body and plastic ring
- External regulating device

Standards Compliance

- Directive 2014/32/EU on measuring instruments;
- the European Standard EN14154+A1+A2:Water Meter;
- the International Organization of Legal Metrology OIML R-49: 2013(E)

Optional Features

- Several lengths and connections available on request
- Non return Valve
- Reed switch option

Working Conditions

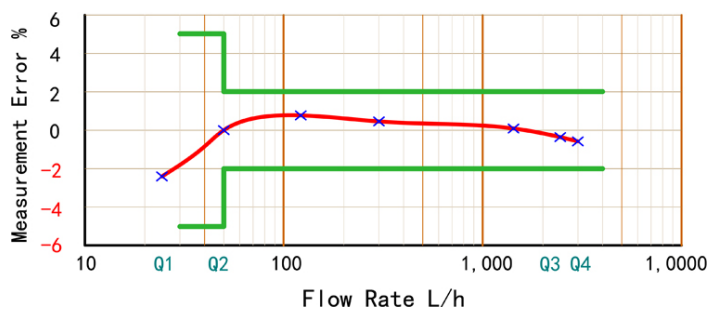
- Water temperature: $\leq 50^{\circ}\text{C}$ for cold water meter
- Water pressure: $\leq 1.6\text{MPa}$ (16bars)

Accessories

2pcs couplings, 2pcs coupling nuts and 2pcs washers.

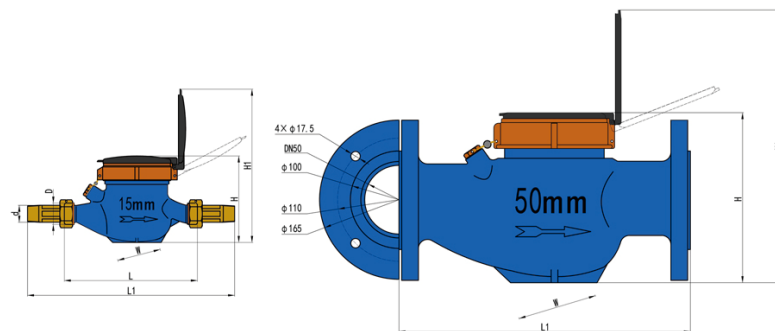
Maximum Permissible Error

- In the lower zone from Q1 inclusive up to but excluding Q2 is $\pm 5\%$.
- In the upper zone from Q2 inclusive up to and including Q4 is $\pm 2\%$.



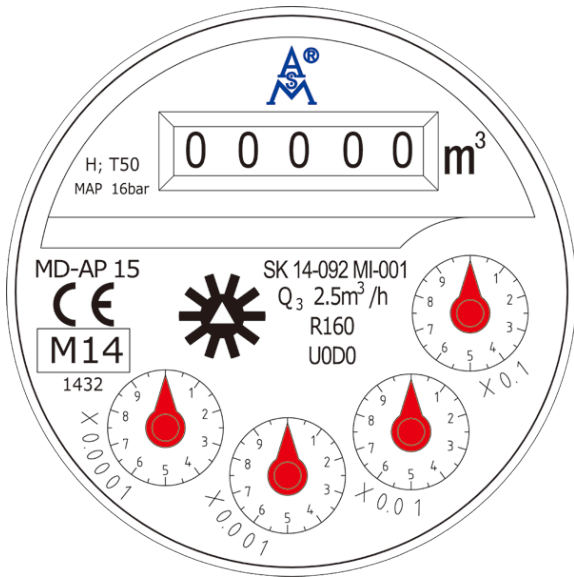
| | | | | | | | |
|--------------------------------|---------|-------------------------------|------|-------|--------|--------|-------|
| DN(mm) | | 15 | 20 | 25 | 32 | 40 | 50 |
| Size(inch) | | 1/2" | 3/4" | 1" | 1-1/4" | 1-1/2" | 2" |
| Q4(m ³ /h) | | 3.125 | 5 | 7.875 | 12.5 | 20 | 31.25 |
| Q3(m ³ /h) | | 2.5 | 4 | 6.3 | 10 | 16 | 25 |
| R80 | Q2(l/h) | 50 | 80 | 126 | 200 | 320 | 500 |
| | Q1(l/h) | 31.25 | 50 | 78.75 | 125 | 200 | 312.5 |
| R100 | Q2(l/h) | 40 | 64 | 100.8 | 160 | 256 | 400 |
| | Q1(l/h) | 25 | 40 | 63 | 100 | 160 | 250 |
| R125 | Q2(l/h) | 32 | 51.2 | 80.64 | 128 | 204.8 | 320 |
| | Q1(l/h) | 20 | 32 | 50.4 | 80 | 128 | 200 |
| R160 | Q2(l/h) | 25 | 40 | 63 | 100 | 160 | 250 |
| | Q1(l/h) | 15.62 | 25 | 39.37 | 62.5 | 100 | 156.2 |
| Max. Reading (m ³) | | 99999 | | | | 999999 | |
| Min. Reading (Liter) | | 0.05 | | | | | |
| Max. Pressure (bar) | | 16 | | | | | |
| Pressure Loss (ΔP) | | 63 | | | | | |
| Max. Temperature | | T30 or T50 | | | | | |
| Pulse Output Option | | Vmax=24V, Imax=100mA, Pmax=2W | | | | | |

Dimension



| | | | | | | | |
|---------------------|---------|------|---------|---------|--------|---------|----------------|
| DN(mm) | 15 | 20 | 25 | 32 | 40 | 50 | |
| Size(inch) | 1/2" | 3/4" | 1" | 1-1/4" | 1-1/2" | 2" | |
| Length(L) | 165/190 | 190 | 225 | 230 | 245 | 300 | |
| Width(W) | 99 | 99 | 103 | 104 | 124 | 125 | |
| Height(H) | 104 | 106 | 114 | 117 | 147 | 172 | |
| Connecting Thread D | G3/4B | G1B | G1-1/4B | G1-1/2B | G2B | G2-1/2B | flange ISO7005 |

Meter Dial Plate(DN15,R160)



Pulse Output Option

- 1.5m cable with 2 reed switches
- $V_{max}=24V$, $I_{max}=100mA$, $P_{max}=2W$



Exploded View



| Magnet Position | Liter/Pulse |
|-----------------|-------------|
| x0,0001 | 1 |
| x0,001 | 10 |
| x0,01 | 100 |
| x0,1 | 1000 |