

## Medium Voltage Motors

---

### Applications:

---

For use in petro-chemical Plants, pulp & paper mills, waste management facilities, foundries, mines. Also can be used in other high demand environments needing a reliable severe duty motor.

### Features:

---

- 300 - 2500 HP
- 3600, 1800, 1200, and 900 RPM
- TEFC Enclosure IP55 or ODP Enclosure  
Ip23
- Cast Iron and Fabricated Steel Frame  
Construction Available
- NEMA Premium Efficiency Design
- 120V Space Heaters Terminated in Seperate  
Conduit Box
- 100 ohm Platinum Stator RTDs, 2 Per Phase,  
Terminated in Seperate Conduit Box
- Provisions for Bearing RTDs
- Form Wound Stator Coils
- Vacuum Pressure Impregnation for all Windings
- Class F Insulation, Class B temperature Rise
- Copper Bar Rotor
- 1.15 Service Factor
- Maximum 40°C Ambient Temperature
- Grounding Terminal Inside Main Terminal Box  
and Foot Frame
- VFD Rated when using 1.0 Service Factor, CT 2:1; VT 4:1
- Bi-Directional for 1800, 1200, and 900 RPM Ratings
- Stainless Steel Name Plate
- Low Noise  $85 \leq \text{dBA}$



# NEMA

## Standard Full Line Motors



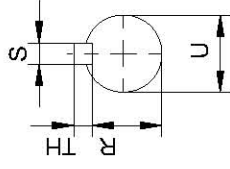
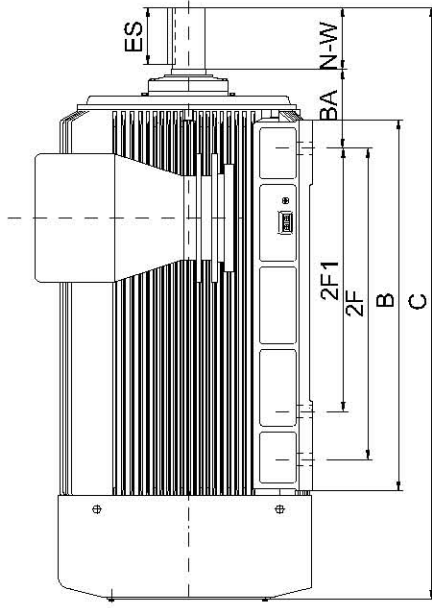
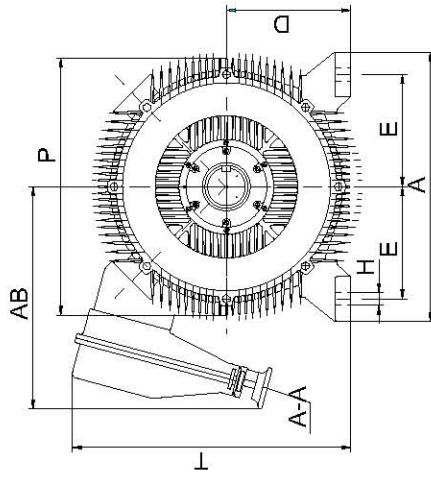
### Medium Voltage Motors

HP	RPM	VOLTAGE	FRAME	CATALOG NUMBER	FULL EFF. 100%	FULL AMPS
300	3600	2300/4000	5009	MVP3002T01	95.4	49.4
	1800	2300/4000	5009	MVP3004T01	95.4	44.4
	1200	2300/4000	5009	MVP3006T01	95.0	42.4
	900	2300/4000	5011	MVP3008T01	95.0	50.1
350	3600	2300/4000	5009	MVP3504T01	95.4	54.8
	1800	2300/4000	5009	MVP3502T01	95.4	50.6
	1200	2300/4000	5011	MVP3506T01	95.0	48.3
	900	2300/4000	5808	MVP3508T01	95.0	57.2
400	3600	2300/4000	5011	MVP4002T01	95.4	62.4
	1800	2300/4000	5011	MVP4004T01	95.4	56.8
	1200	2300/4000	5011	MVP4006T01	95.0	53.7
	900	2300/4000	5808	MVP4008T01	95.0	63.4
450	3600	2300/4000	5011	MVP4502T01	95.4	67.6
	1800	2300/4000	5011	MVP4504T01	95.4	62.4
	1200	2300/4000	5808	MVP4506T01	95.4	60.4
	900	2300/4000	5810	MVP4508T01	95.0	80.7
500	3600	2300/4000	5808	MVP5002T01	95.4	75.6
	1800	2300/4000	5008	MVP5004T01	95.8	72.7
	1200	2300/4000	5810	MVP5006T01	95.4	94.2
	900	2300/4000	6808	MVP5008T01	95.4	87.7
600	3600	2300/4000	5810	MVP6002T01	95.8	84.1
	1800	2300/4000	5810	MVP6004T01	95.8	106.3
	1200	2300/4000	5810	MVP6006T01	95.4	100.8
	900	2300/4000	6810	MVP6008T01	95.4	97.1
700	3600	2300/4000	6808	MVP7002T01	96.2	112.2
	1800	2300/4000	6808	MVP7004T01	95.8	124.6
	1200	2300/4000	6808	MVP7006T01	95.8	122.4
	900	2300/4000	6808	MVP7008T01	95.4	118.2
800	3600	2300/4000	6810	MVP8002T01	96.2	130.6
	1800	2300/4000	6808	MVP8004T01	95.8	136.8
	1200	2300/4000	6808	MVP8006T01	95.8	141.2
	900	2300/4000	6810	MVP8008T01	95.5	134.6
900	3600	2300/4000	6808	MVP9002T01	96.2	128.2
	1800	2300/4000	6808	MVP9004T01	95.8	152.2
	1200	2300/4000	6810	MVP9006T01	96.0	148.8
	900	2300/4000	7808	MVP9008T01	95.8	147.6
1000	3600	2300/4000	6808	MVP10002T01	96.2	87.7
	1800	2300/4000	6808	MVP10004T01	96.3	84.1
	1200	2300/4000	6810	MVP10006T01	96.0	106.3
	900	2300/4000	7808	MVP10008T01	95.8	101.9
1250	1800	2300/4000	6810	MVP12504T01	96.3	197.1
	1200	2300/4000	7808	MVP12506T01	96.0	218.6
	900	2300/4000	8810	MVP12508T01	95.8	212.8
1500	1800	2300/4000	7808	MVP15004T01	95.8	182.4
	1200	2300/4000	7808	MVP15006T01	96.0	198.2
	900	2300/4000	8810	MVP15008T01	96.0	230.6
1750	1800	2300/4000	7808	MVP17504T01	96.5	236.8
	1200	2300/4000	8810	MVP17506T01	96.5	241.2
	900	2300/4000	8810	MVP17508T01	96.5	224.6
2000	1800	2300/4000	8810	MVP20006T01	96.5	228.2
	1200	2300/4000	8810	MVP20008T01	96.5	252.2
2250	1800	2300/4000	8810	MVP22506T01	96.5	248.8
	1200	2300/4000	8810	MVP22508T01	96.5	247.6

# Medium Voltage Motors

## Mounting and overall dimensions

## N5009-N6810



# NEMA

## Standard Full Line Motors

FRAME	POLES	A	B	C	D	E	2F	2F1	H	P	O+T	O+T1	AB	BA	U	N-W	ES	S	R	V
N5009	2	24.8	33.86	69.9	12.5	10	28	22	1.1	27.8	30.4	33.4	27.8	8.5	2.625	5.5	4.75	0.625	2.275	5.3
N5009	4~10	24.8	33.86	67.4	12.5	10	28	22	1.1	27.8	30.4	33.4	27.8	8.5	3.75	6.7	5.5	0.875	3.261	6.5
N5011	4~10	24.8	41.85	75.2	12.5	10	36	32	1.1	27.8	30.4	33.4	27.8	8.5	3.75	6.7	5.5	0.875	3.261	6.5
N5808	2	28	33.86	78.6	14.5	11.5	28	25	1.1	32.3	34.2	36.9	29.8	10	2.875	5.5	4.75	0.75	2.45	5.3
N5808	4~10	28	33.86	73.3	14.5	11.5	28	25	1.1	32.3	34.2	36.9	29.8	10	4.375	8.3	6.7	1	3.817	8.1
N5810	2	28	41.85	86.1	14.5	11.5	36	32	1.1	32.3	34.2	36.9	29.8	10	2.875	5.5	4.75	0.75	2.45	5.3
N5810	4~10	28	41.85	80.7	14.5	11.5	36	32	1.1	32.3	34.2	36.9	29.8	10	4.375	8.3	6.7	1	3.817	8.1
N6310	2	31.5	47.24	85.5	15.75	13.5	40	32	1.38	35.5	37	40.9	33.1	11	3.125	6.7	5.5	0.75	2.704	6.5
N6310	4~10	31.5	47.24	80.7	15.75	13.5	40	32	1.38	35.5	37	40.9	33.1	11	4.375	8.3	6.7	1	3.817	8.1
N6310	2	33.9	53.54	92	17	13.5	45	36	1.38	37.8		44		11.5	3.375	6.7	5.5	0.875	2.88	6.5
N6810	4~10	33.9	53.54	90.2	17	13.5	45	36	1.38	37.8		44		11.5	4.875	8.3	6.7	1.25	4.169	8.1





## IEC Stainless Steel Three Phase Motors 6.1.17

HP	RPM	Frame	B5		B14		Note
			Catalog Number	VIP Price	Catalog Number	VIP Price	
1/3	3600	71	SE132051	\$147.56	SE132041	\$143.26	TENV
		80	SE132052	\$147.56	SE132042	\$143.26	TENV
	1800	71	SE134051	\$149.87	SE134041	\$145.50	TENV
		80	SE134052	\$149.87	SE134042	\$145.50	TENV
1/2	3600	71	SE122051	\$150.90	SE122041	\$146.50	TENV
		80	SE122052	\$150.90	SE122042	\$146.50	TENV
	1800	71	SE124051	\$151.20	SE124041	\$146.80	TENV
		80	SE124052	\$151.20	SE124042	\$146.80	TENV
3/4	3600	80	SE342051	\$152.51	SE342041	\$148.07	TEFC
	1800		SE344051	\$159.42	SE344041	\$154.78	TEFC
1	3600	90	SE14051	\$183.11	SE14041	\$177.78	TEFC
	1800		SE14051	\$183.11	SE14041	\$177.78	TEFC
1 1/2	3600	90	SE322051	\$212.23	SE322041	\$206.05	TEFC
	1800		SE324051	\$212.23	SE324041	\$206.05	TEFC
2	3600	90	SE22051	\$222.05	SE22041	\$215.58	TEFC
	1800		SE24051	\$224.83	SE24041	\$218.28	TEFC
3	3600	100	SE32051	\$445.58	SE32041	\$432.60	TEFC
	1800		SE34051	\$462.74	SE34041	\$449.26	TEFC

Note, the motor is round welded conduit box.

1/3-3/4HP is IE1 efficiency.

1hp and up are IE3 efficiency.