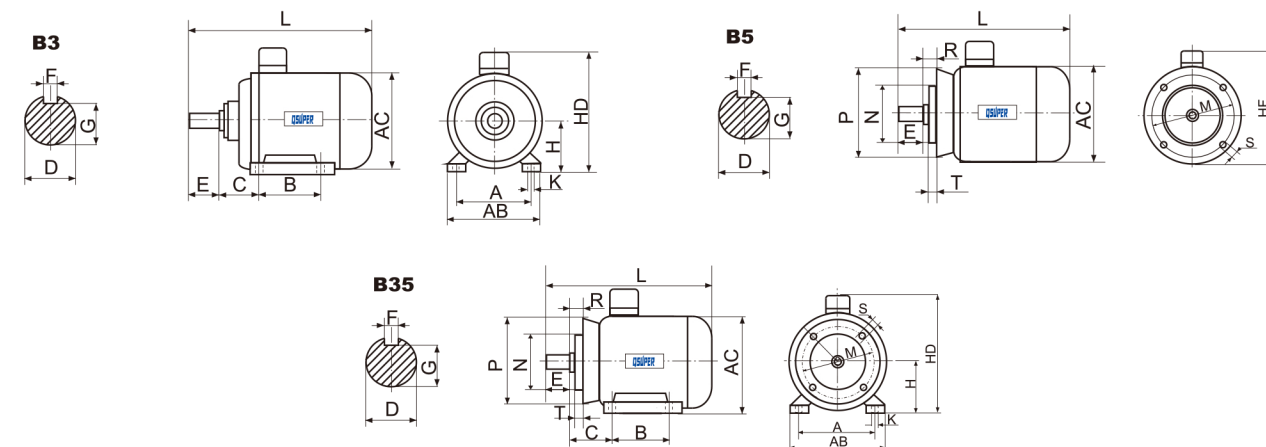
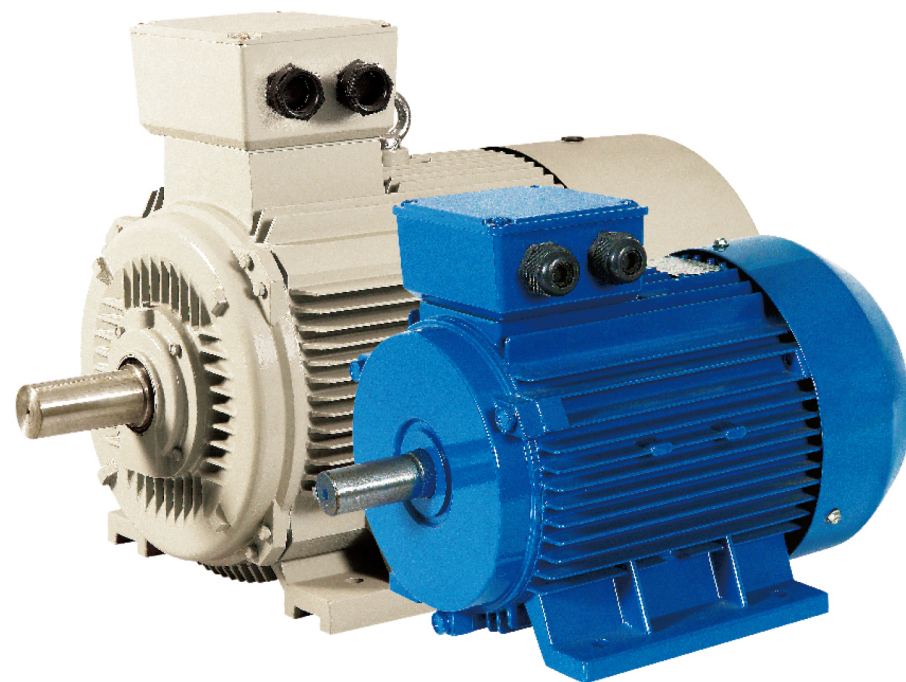




# Y2 Series

SERIES THREE-PHASE  
ASYNCHRONOUS  
MOTOR

三相异步电动机



OVERALL&INSTALLATION DIMENSIONS 外形及安装尺寸

Frame size 机座号	Poles 极	Mounting Dimensions 安装尺寸										Overall Dimensions 外形尺寸				
		A	A/2	B	C	D	E	F	G	H	K	AB	AC	AD	HD	L
63	2,4	100	50	80	40	11	23	4	8.5	63	7	135	130	70	180	225
71	2,4,6	112	56	90	45	14	30	5	11	71	7	150	145	80	195	250
80	2,4,6	125	62.5	100	50	19	40	6	15.5	80	10	165	175	145	214	295
90S	2,4,6	140	70	100	56	24	50	8	20	90	10	180	195	155	250	315
90L	2,4,6	140	70	125	56	24	60	8	20	90	10	180	195	155	250	340
100L	2,4,6	160	80	140	63	28	80	8	24	100	12	205	215	180	270	385
112M	2,4,6	190	95	140	70	28	60	8	24	112	12	230	240	190	300	400
132S	2,4,6	216	108	140	89	38	80	10	33	132	12	270	275	210	345	470
132M	2,4,6	216	108	178	89	38	80	10	33	132	12	270	275	210	345	510
160M	2,4,6	254	127	210	108	42	110	12	37	160	15	320	330	255	420	615
160L	2,4,6	254	127	254	108	42	110	12	37	160	15	320	330	255	420	670
180M	2,4,6	279	139.5	241	121	48	110	14	42.5	180	15	355	380	280	455	700
180L	2,4,6	279	139.5	279	121	48	110	14	42.5	180	15	355	380	280	455	740
200L	2,4,6	318	159	305	133	55	110	16	49	200	19	395	420	305	545	770
225S	4,8	356	178	286	149	60	140	18	53	255	19	435	470	335	555	815
225M	2	356	178	311	149	55	110	16	49	255	19	435	470	335	555	820
225M	4,6,8	356	178	311	149	60	110	18	53	255	19	435	470	335	555	845
250M	2	406	203	349	168	60	140	18	53	250	24	490	510	370	615	910
250M	4,6,8	406	203	349	168	65	140	18	58	250	24	490	510	370	615	910
280S	2	457	228.5	368	190	65	140	18	58	280	24	550	580	410	680	985
280S	4,6,8	457	228.5	368	190	75	140	20	67.5	280	24	550	580	410	680	985
280M	2	457	228.5	419	190	65	140	18	58	280	24	550	580	410	680	1035
280M	4,6,8	457	228.5	419	190	75	140	20	67.5	280	24	550	580	410	680	1035
315S	2	508	254	406	216	65	140	18	58	315	28	635	645	530	845	1160
315S	4,6,8,10	508	254	406	216	80	170	22	71	315	28	635	645	530	845	1270
315M	2	508	254	457	216	65	140	18	58	315	28	635	645	530	845	1190
315M	4,6,8,10	508	254	457	216	80	170	22	71	315	28	635	645	530	845	1300
315L	2	508	254	508	216	65	140	18	58	315	28	635	645	530	845	1190
315L	4,8	508	254	508	216	80	170	22	71	315	28	635	645	530	845	1300
355M	2	610	305	560	254	75	140	20	67.5	355	28	730	710	655	1010	1500
355M	4,6,8,10	610	305	560	254	75	170	25	86	355	28	730	710	655	1010	1530
355L	2	610	305	630	254	95	140	20	67.5	355	28	730	710	655	1010	1500
355L	4,6,8,10	610	305	630	254	95	170	25	86	355	28	730	710	655	1010	1530

## INTRODUCE

Y2 series three-phase induction motors, developed with new techniques, are renewal and upgrading products of Y series.

Y2 series motors are defined as totally enclosed, fan cooled, squirrel cage type and noted for their novel design, excellent appearance, compact structure, low noise, high efficiency, large torque, excellent starting performance, easy service, etc. The motors are adopted with F class insulation and designed with assessing method for insulation system according to international practice, it enhances greatly motor's safety and reliability. Therefore, these motors have reached an international advanced level of the same kind products at the initial days of the 90s.

Y2 series motors can be widely used as driving equipments of various machineries, such as, machine tools, blowers, pumps, compressors, transporters, agricultural and food processing.

## OPERATING CONDITIONS

- ★ Ambient temperature:  $-15^{\circ}\text{C} < \theta < 40^{\circ}\text{C}$
- ★ Altitude: should be lower than 1000 meters above sea level.
- ★ Rated voltage: 380V
- ★ Rated frequency: 50Hz
- ★ Connection: Star-connection for 3KW or less whereas delta-connection for 4KW or more.
- ★ Duty/Rating: Continuous(S1).
- ★ Insulation class: F
- ★ Protection class: The main body of the motor is IP54, but the terminal box reaches IP55.
- ★ Cooling method: IC0141

## 简介

Y2系列三相异步电动机是采用新技术而开发出的新系列，是Y系列电动机的升级换代产品。

Y2系列电动机系全封闭、外扇冷式、鼠笼型结构。具有设计新颖、造型美观、噪声低、效率转矩高、起动性能好、结构紧凑、使用维修方便等特点。整机采用F级绝缘，且按国际惯例的绝缘结构评定方法设计，从而大大提高了整机安全可靠。达到国外同类产品九十年代初期先进水平。

Y2系列电动机可广泛应用于机床、风机、水泵、压缩机和交通运输、农业、食品加工等各类机械传动设备。

## 使用条件

- ★ 环境温度： $-15^{\circ}\text{C} < \theta < 40^{\circ}\text{C}$
- ★ 额定电压：380V
- ★ 额定频率：50Hz
- ★ 防护等级：IP44, IP54, IP55
- ★ 绝缘等级：B, F, H
- ★ 海拔：不超过1000m
- ★ 冷却方式：IC0141
- ★ 工作方式：S1
- ★ 连接方式：3KW及以下Y接法，4KW及以上为 $\Delta$ 接法





TECHNICAL DATA

TYPE 型号	Output 功率		Current 电流 (A)	Speed 转速 (r/min)	Eff. 效率 (%)	Power Factor 功率因数	Tstart/Tn 堵转转矩 额定转矩	Ist/In 堵转电流 额定电流	Tmax/Tn 最大转矩 额定转矩
	HP	KW							
Y2-132M-8	4	3.0	7.9	710	79	0.73	2.0	6.0	2.0
Y2-160M1-8	5.5	4.0	10.2	720	81	0.73	2.0	6.0	2.0
Y2-160M2-8	7.5	5.5	13.6	720	83	0.74	2.0	6.0	2.0
Y2-160L-8	10	7.5	17.7	720	85.5	0.75	2.0	6.0	2.0
Y2-180L-8	15	11.0	25.1	730	87.5	0.76	2.0	6.5	2.0
Y2-200L-8	20	15.0	34.0	730	88	0.76	2.0	6.5	2.0
Y2-225S-8	25	18.5	40.6	740	90.0	0.76	1.9	6.6	2.0
Y2-225M-8	30	22.0	47.4	740	90.5	0.78	1.9	6.6	2.0
Y2-250M-8	40	30.0	64.0	740	91.0	0.79	1.9	6.6	2.0
Y2-280S-8	50	37.0	78.0	740	91.5	0.79	1.9	6.6	2.0
Y2-280M-8	60	45.0	94.0	740	92.0	0.79	1.9	6.6	2.0
Y2-315S-8	75	55	111	740	92.8	0.81	1.8	6.6	2.0
Y2-315M-8	100	75	151	740	93.0	0.81	1.8	6.6	2.0
Y2-315L1-8	125	90	178	740	93.8	0.82	1.8	6.6	2.0
Y2-315L2-8	150	110	217	740	94.0	0.82	1.8	6.4	2.0
Y2-355M1-8	180	132	261	740	93.7	0.82	1.8	6.4	2.0
Y2-355M2-8	220	160	313	740	94.2	0.82	1.8	6.4	2.0
Y2-355L-8	250	200	388	740	94.5	0.83	1.8	6.4	2.0
380V Synchronous Speed 600r/min (10 Poles)50Hz									
Y2-315S-10	60	45	100	590	91.5	0.75	1.5	6.2	2.0
Y2-315M-10	75	55	121	590	92	0.75	1.5	6.2	2.0
Y2-315L1-10	100	75	162	590	92.5	0.76	1.5	6.2	2.0
Y2-315L2-10	125	90	191	590	93	0.77	1.5	6.2	2.0
Y2-355M1-10	150	110	230	590	93.2	0.78	1.3	6.0	2.0
Y2-355M2-10	180	132	275	590	93.5	0.78	1.3	6.0	2.0
Y2-355L-10	220	160	334	590	93.5	0.78	1.3	6.0	2.0

